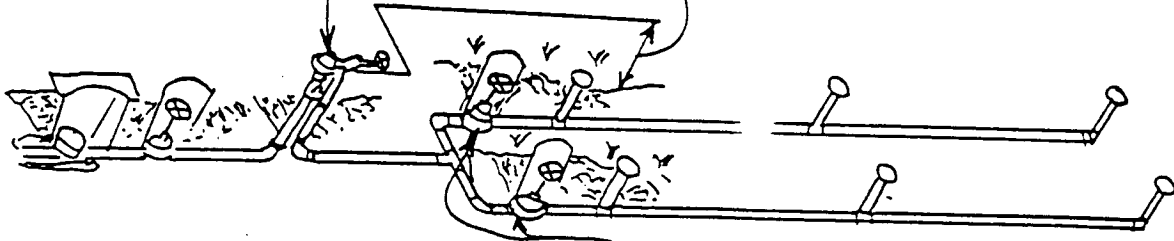


A P P E N D I X

- A-1 Pressure and hose bib vacuum breakers
- A-2 Residential backflow and water meter assembly
- A-3 Typical 3/4" to 2" backflow preventer installation
- A-4 Above-ground meters
- A-5 Combination master meter and backflow preventer
- A-6 Three inch and larger parallel backflow prevention assembly
- A-7 Double detector check valve
- A-8 Three inch and larger backflow prevention assembly
- A-9 Approved water tanker truck backflow prevention
- A-10 Test Requirement Form Letter
- A-11 FDEP Approval Letter

APPROVED
PRESSURE TYPE
VACUUM BREAKER

12" MINIMUM ABOVE HIGHEST
SPRINKLER HEAD

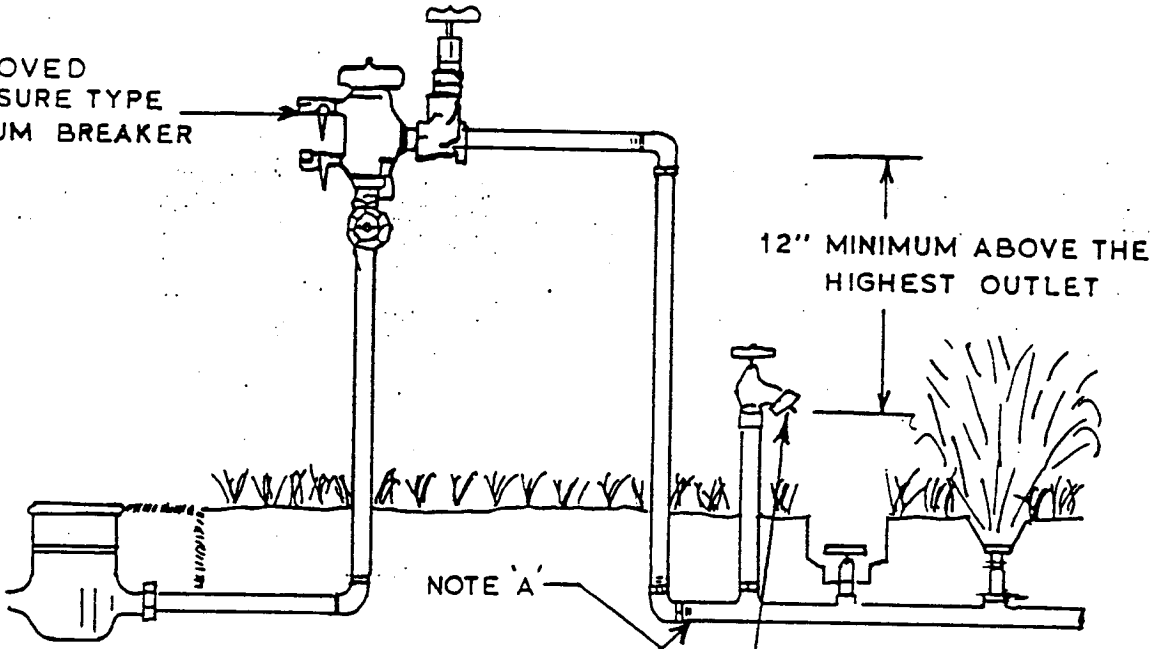


SHUTOFF VALVES MAY BE DOWNSTREAM
FROM PRESSURE VACUUM BREAKER

NOTE 'A' ALL PIPING FROM METER TO THIS POINT SHALL BE SWEATED COPPER OR
THREADED BRASS

APPROVED
PRESSURE TYPE
VACUUM BREAKER

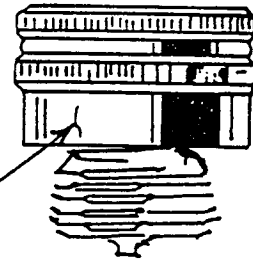
12" MINIMUM ABOVE THE
HIGHEST OUTLET



NOTE 'A'

HOSE BIB VACUUM BREAKER REQUIRED
ON ALL FIXTURES THREADED FOR HOSE
ATTACHMENT BY RULES OF THE
FLORIDA DEPT. OF H.R.S. AND THE
CITY OF MELBOURNE PLUMBING CODE

APPROVED
HOSE BIB VACUUM BREAKER

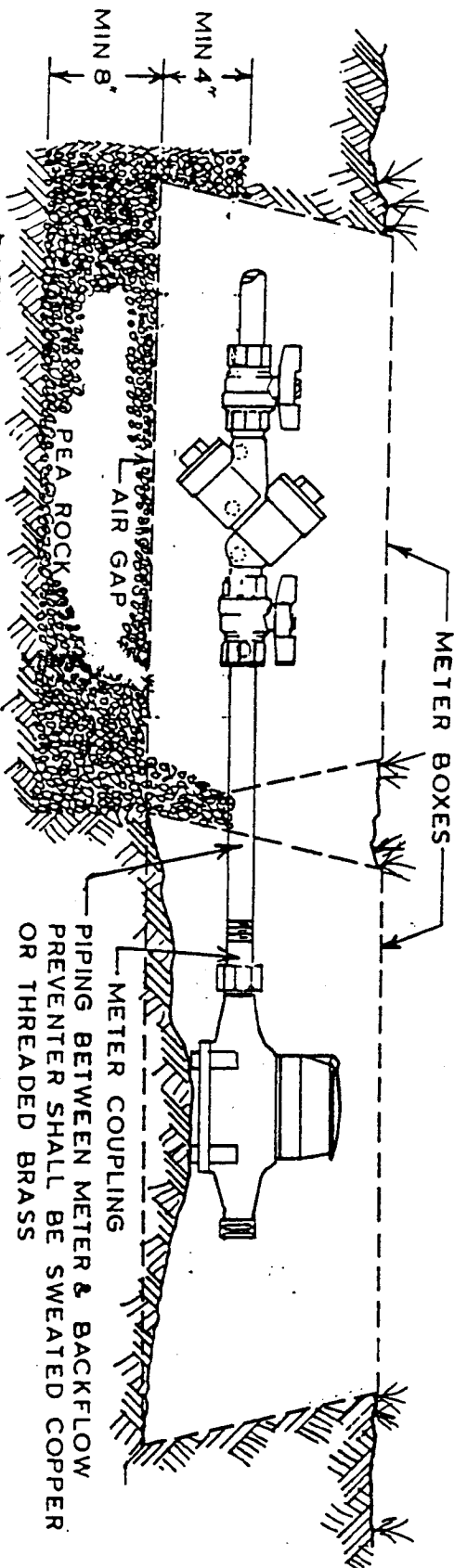


OUTSIDE YARD SPIGOT WITH HOSE IN
POLLUTED PUDDLE

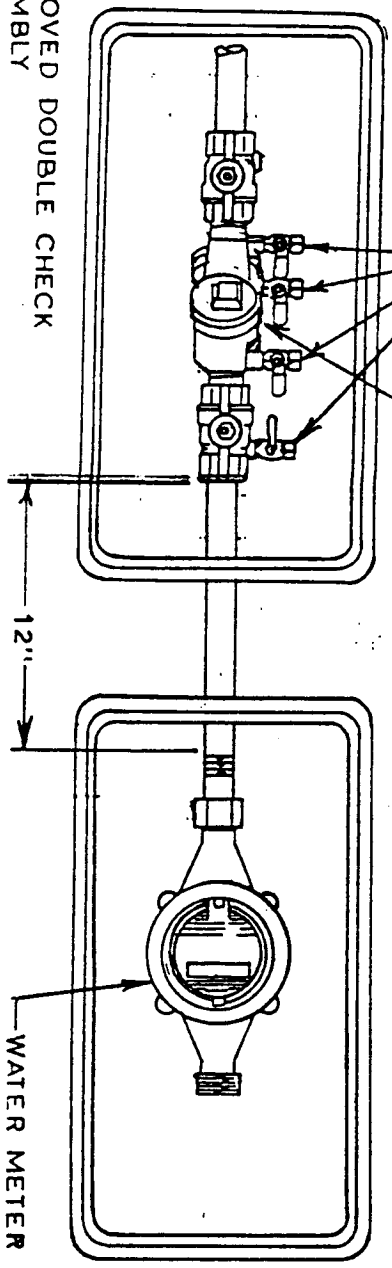
DATE	20 SEP 91	PRESSURE AND HOSE BIB VACUUM BREAKERS	DRN NO	A - 1
DESIGN		CITY OF MELBOURNE	DRN ON	
DRN BY	<i>N.D. Williams</i>	WATER AND SEWER ADMN.	JOB NO	

WATER METER AND BACKFLOW PREVENTER SET UP REPRESENTED IS REQUIRED IN RESIDENTIAL AREAS WHERE REUSE WATER IS AVAILABLE FOR RESIDENTIAL USE.

PROFILE



PLAN

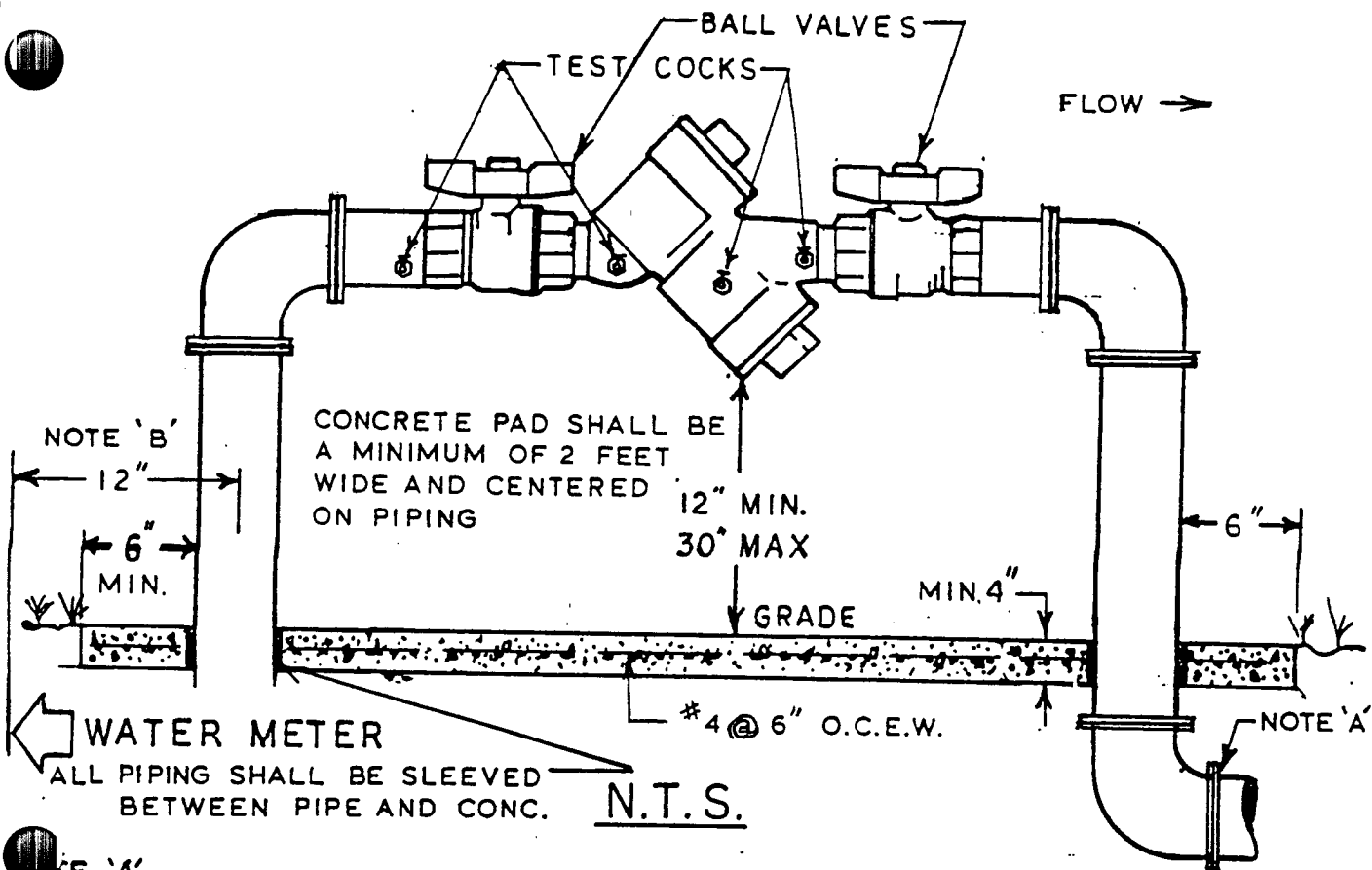


AWWA APPROVED DOUBLE CHECK VALVE ASSEMBLY

DEVICES ARE TO BE INSTALLED IN STRICT ACCORDANCE WITH MANUFACTURERS INSTRUCTIONS!

DATE:	06-26-92	RESIDENTIAL BACKFLOW AND WATER METER ASSEMBLY	DRAWING No.	A-2
DESIGNED		CITY OF MELBOURNE FLORIDA	DRAWN ON	
DRAWN BY	N. D. Williams	WATER AND SEWER ADMINISTRATION	JOB No.	

PROFILE



NOTE 'B'

CONCRETE PAD SHALL BE A MINIMUM OF 2 FEET WIDE AND CENTERED ON PIPING

12" MIN.
30° MAX

6" MIN.

WATER METER

ALL PIPING SHALL BE SLEEVED BETWEEN PIPE AND CONC.

N.T.S.

#4 @ 6" O.C.E.W.

NOTE 'A'

ALL PIPING AND FITTINGS SHALL BE SWEATED COPPER OR THREADED BRASS, FROM METER TO THE POINT WHERE THE 90° BEND MEETS THE CUSTOMERS SERVICE LINE UNDERGROUND

NOTE 'B'

BACKFLOW PREVENTER TO BE LOCATED NO LESS THAN 12" DOWNSTREAM FROM WATER METER BOX, AND NO MORE THAN 24"

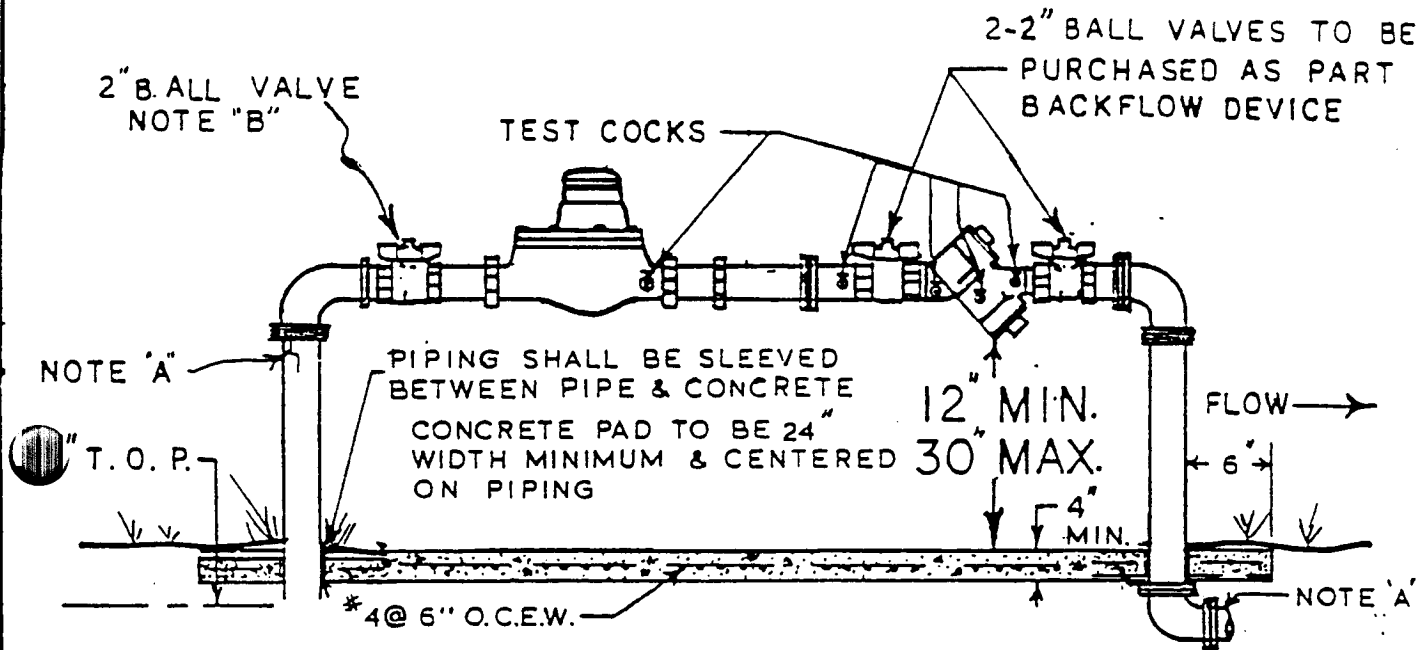
TYPE OF BACKFLOW PREVENTER TO BE BASED ON DEGREE OF HAZARD. THIS IS TO BE DETERMINED BY CITY OF MELBOURNE WATER AND SEWER ADMINISTRATOR. DEVICES TO BE INSTALLED IN STRICT ACCORDANCE WITH MANUFACTURERS INSTRUCTIONS!

BACKFLOW PREVENTOR & ASSOCIATED PIPING TO BE MAINTAINED BY CUSTOMER.

UPDATED: 8 FEB 91 / 17 SEP 91 / 19 JUN 92 / 01 JAN 93 / 31 Oct 93

DATE:	23 AUG 90	TYPICAL 3/4" - TO - 2" BACKFLOW PREVENTER INSTALLATION	DRW ON	A-3
DESIGN:	TH		DRW NO.	
DRWN BY:	N. D. W.	CITY OF MELBOURNE, FL. WATER & SEWER ADMINISTRATION	JOB NO.	

2" METER PROFILE & BACKFLOW PREVENTER

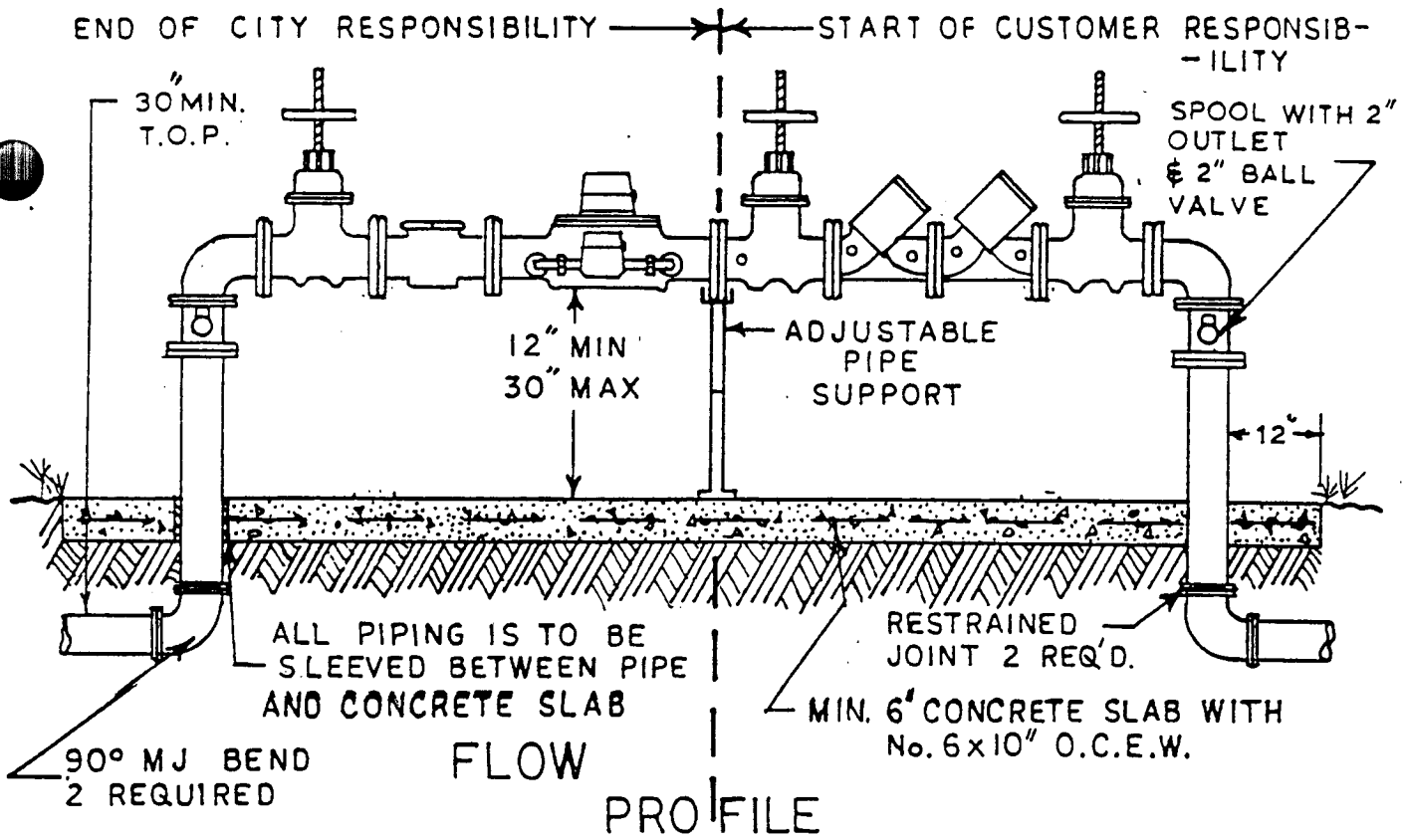


TYPE OF BACKFLOW PREVENTER TO BE BASED ON DEGREE OF HAZARD, THIS IS TO BE DETERMINED BY THE CITY OF MELBOURNE WATER & SEWER ADMINISTRATOR

NOTE "A" ALL 2" SERVICE LINE & FITTINGS TO BE THREADED BRASS TO THE POINT WHERE THE ASSEMBLY MEETS BELOW GROUND WITH CONSUMERS UNDERGROUND LINE, WHERE AT THAT POINT IT MAY BE TYPE 'K' COPPER

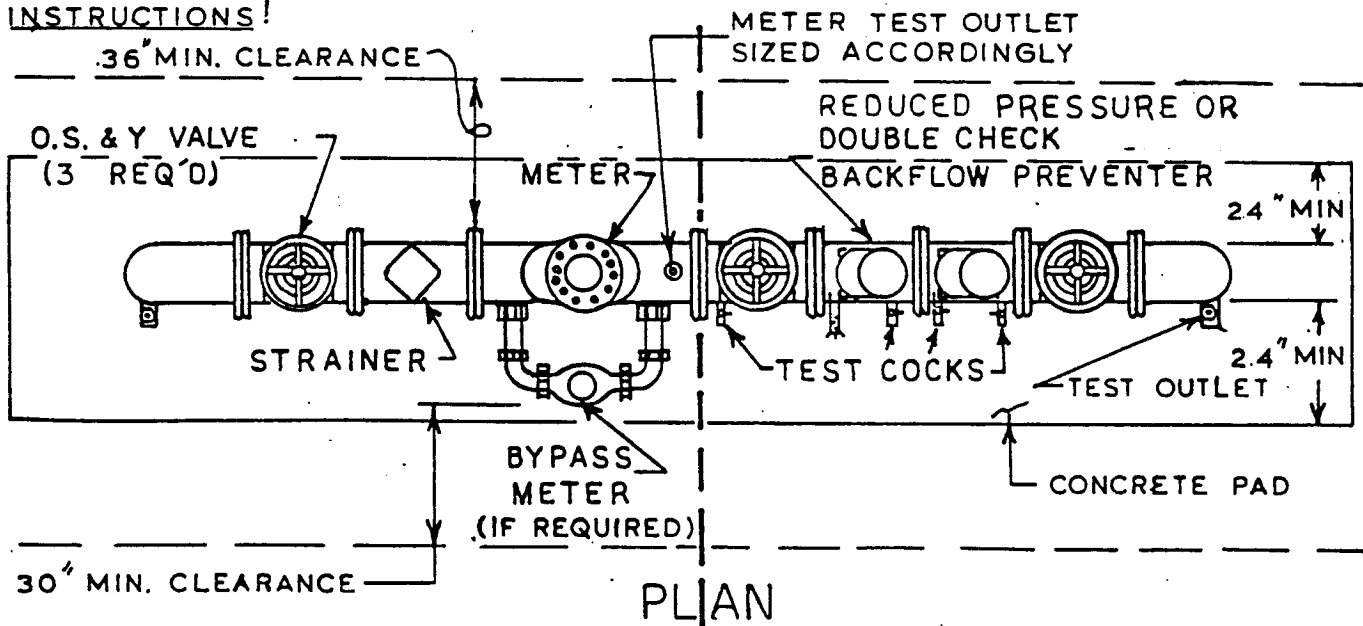
NOTE "B" ALL 2" BALL CURB VALVES LOCATED ABOVE GROUND SHALL BE TYPE B20200 AS MANUFACTURED BY MÜLLER INC. UNLESS FURNISHED AS PART OF A BACKFLOW DEVICE.

UPDATED	8 FEB 91	09-13-91	06-26-92	10-31-93		
DATE	10-4-90	ABOVE GROUND METERS			DRW NO.	A-4
DESIGN		CITY OF MELBOURNE			SCALE	N.T.S.
DRW BY	N. D.W.	WATER & SEWER ADMINISTRATION			JOB NO.	



ALL PIPING SHOWN SHALL BE FLANGED DUCTILE IRON.

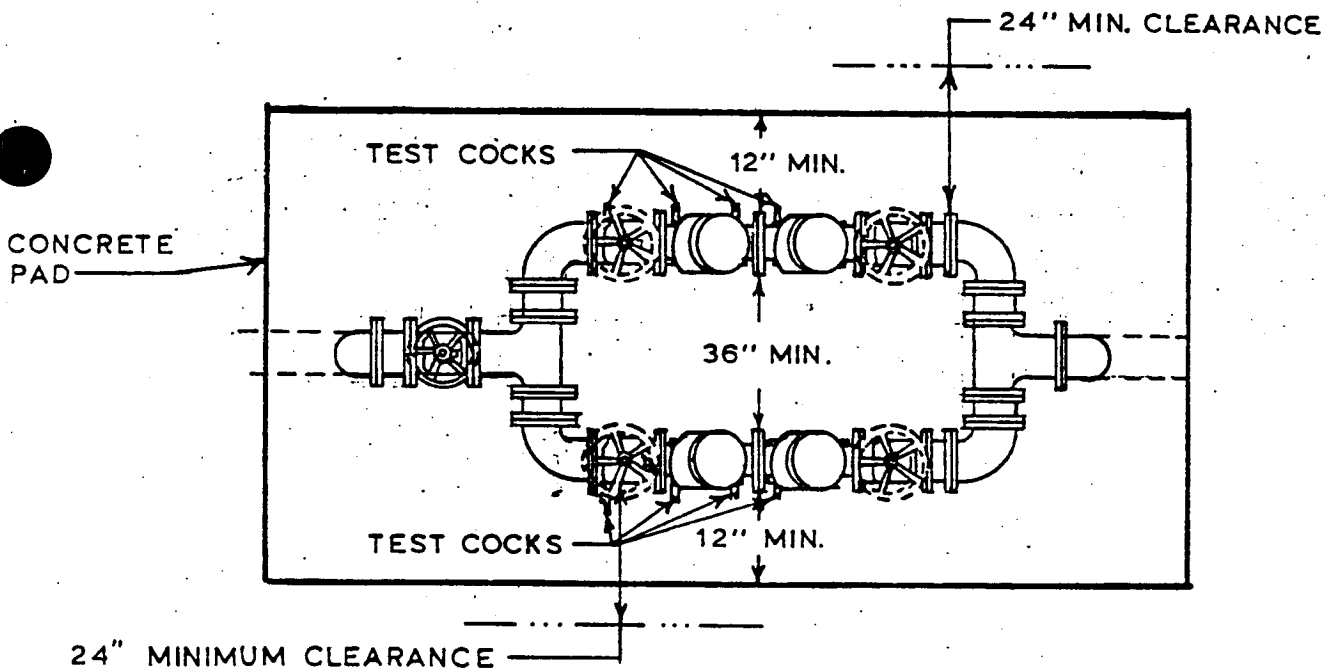
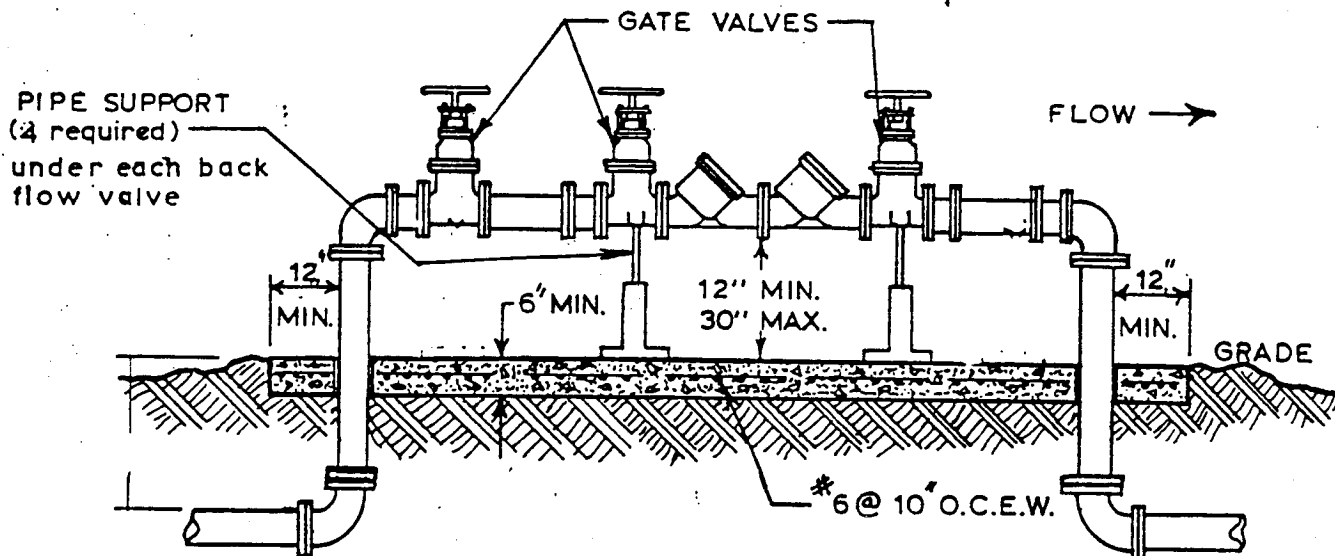
DEVICES ARE TO BE INSTALLED IN STRICT ACCORDANCE WITH MANUFACTURERS INSTRUCTIONS!



DATE	31 OCT 93	COMBINATION MASTER METER AND BACKFLOW PREVENTER	DRW NO.	A-5
DESIGN	TH		CITY OF MELBOURNE	SCALE:
DRW BY	N.D.W.	WATER & SEWER ADMIN.	JOB NO.	

TYPE OF BACKFLOW PREVENTOR TO BE BASED ON DEGREE OF HAZARD. THIS IS TO BE DETERMINED BY THE CITY OF MELBOURNE WATER AND SEWER ADMINISTRATOR.

ALL PIPING PASSING THROUGH CONCRETE SHALL BE SLEEVED.

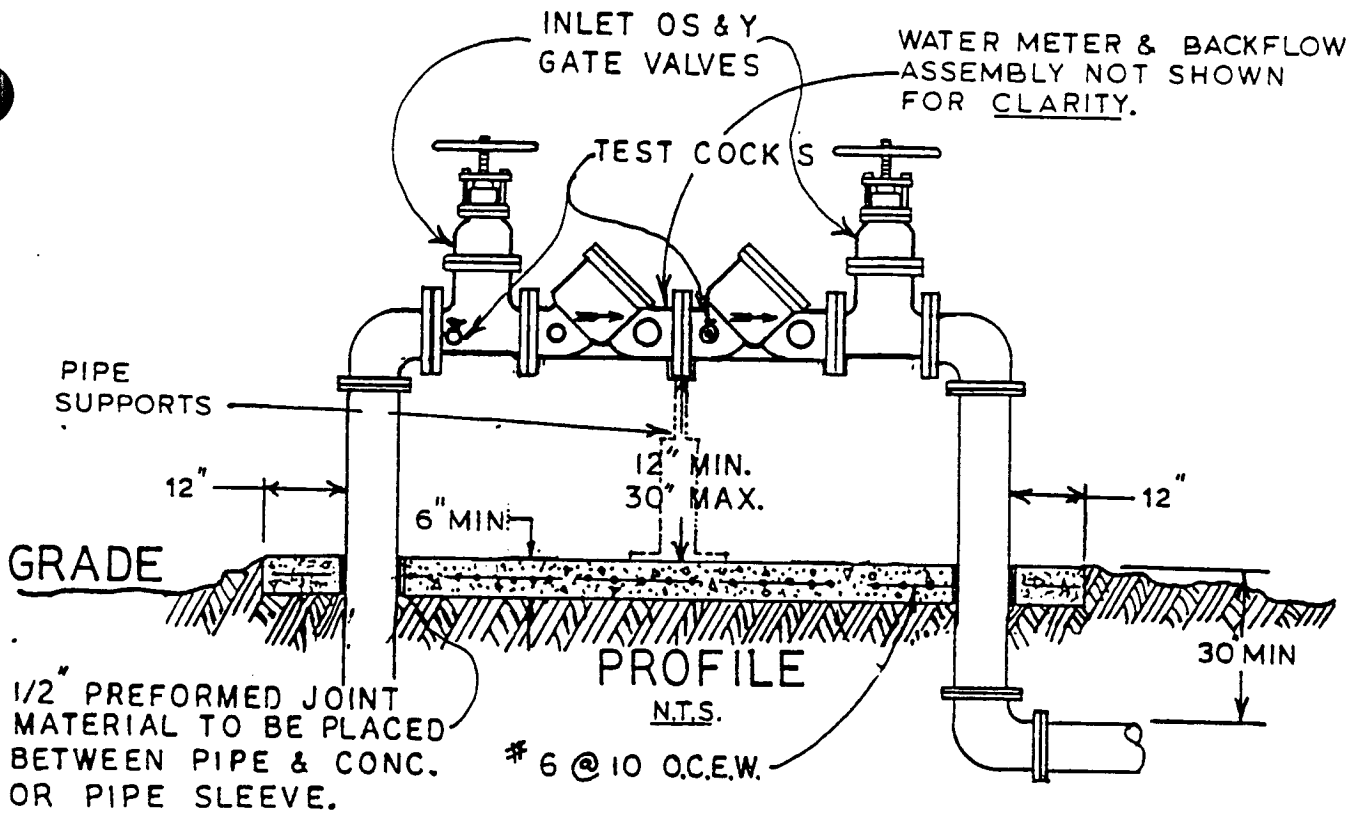


"DEVICES ARE TO BE INSTALLED IN STRICT ACCORDANCE WITH MANUFACTURERS INSTRUCTIONS!"

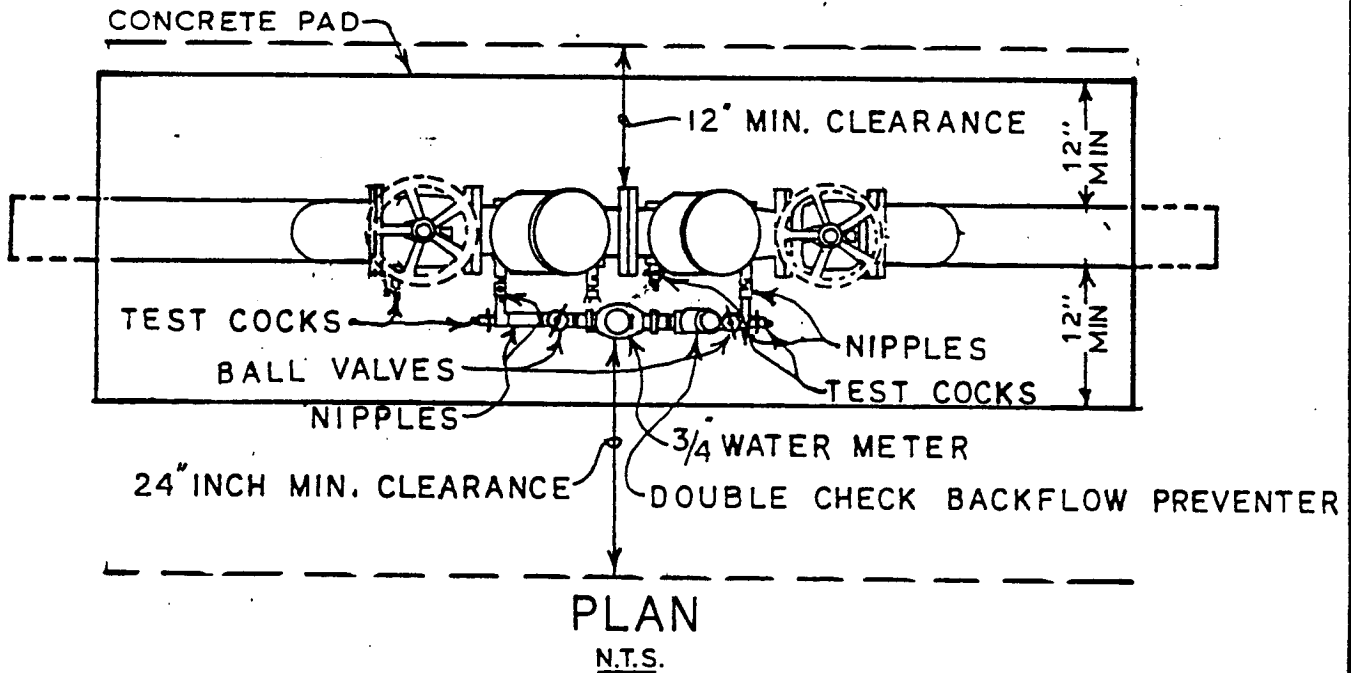
BACKFLOW PREVENTOR AND ASSOCIATED PIPING TO BE MAINTAINED BY CUSTOMER
 ALL PIPING SHOWN SHALL BE FLANGED DUCTILE IRON

DATE	31 OCT 93	3" AND LARGER PARALLEL BACKFLOW PREVENTION ASSEMBLY	DRN NO	A-6
DESIGN	T. H.	CITY OF MELBOURNE	SCALE:	N.T.S.
DRN BY	<i>N.D. William</i>	WATER AND SEWER ADMN.	JOB NO	

ALL PIPING SHALL BE FLANGED DUCTILE IRON.



"DEVICE TO BE INSTALLED IN STRICT ACCORDANCE WITH MANUFACTURERS INSTRUCTIONS."



UPDATED 8 FEB 91 17 SEP 91 19 JUN 92 31 OCT 93

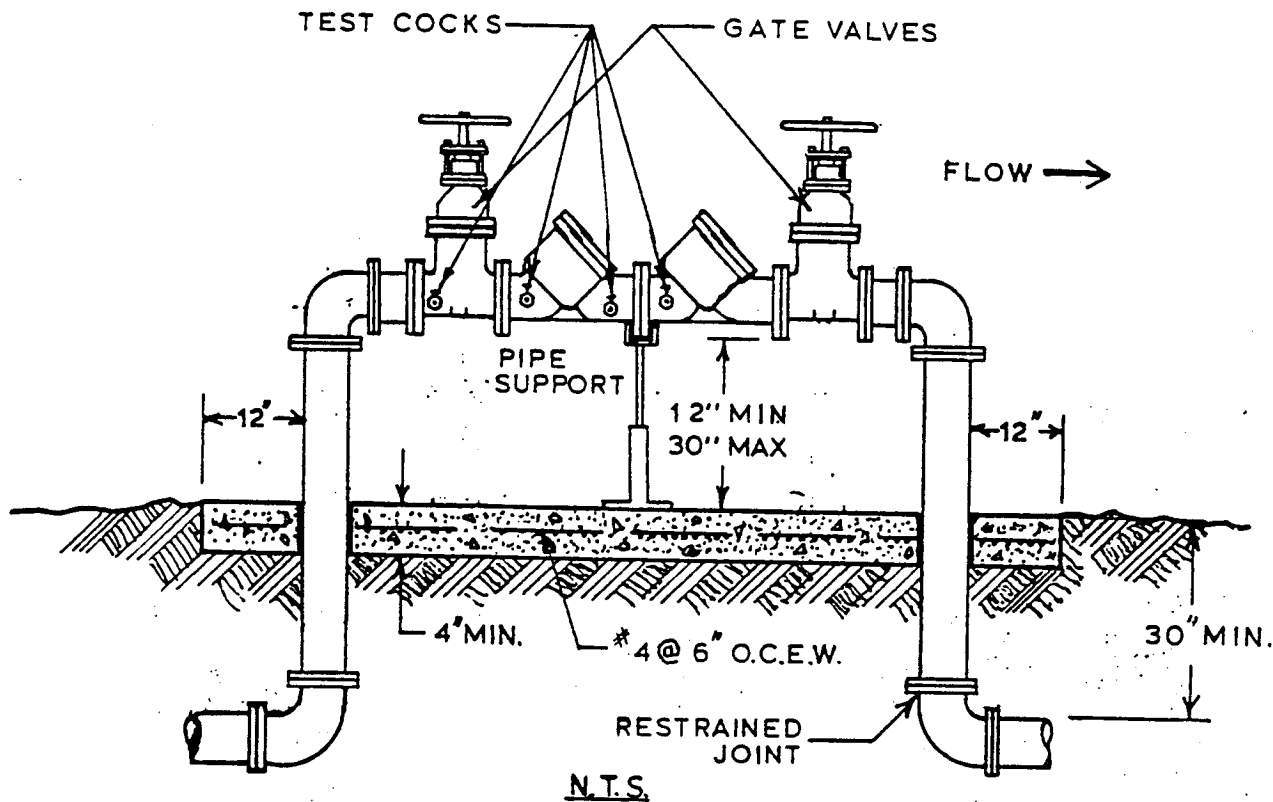
DATE	21 AUG 90
SIGN	TH
DRWN BY	N. D. W.

DOUBLE DETECTOR
CHECK VALVE
CITY OF MELBOURNE
WATER & SEWER ADMINISTRATION

DRW ON.	
DRW NO.	A-7
JOB NO.	

TYPE OF BACKFLOW PREVENTOR TO BE BASED ON DEGREE OF HAZARD. THIS IS TO DETERMINED BY THE CITY OF MELBOURNE WATER AND SEWER ADMINISTRATOR.

ALL PIPING PASSING THROUGH CONCRETE PAD SHALL BE SLEEVED. DEVICES ARE TO BE INSTALLED IN STRICT ACCORDANCE WITH MANUFACTURERS INSTRUCTIONS!



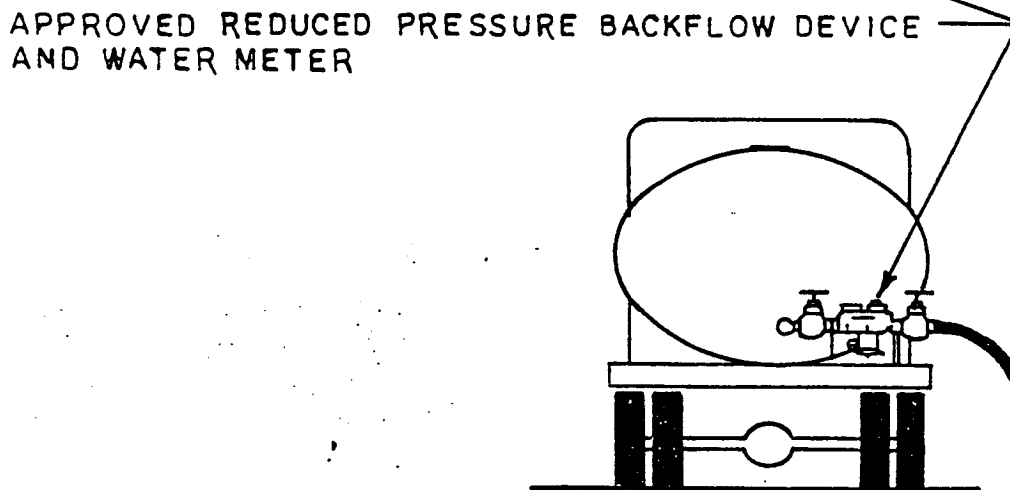
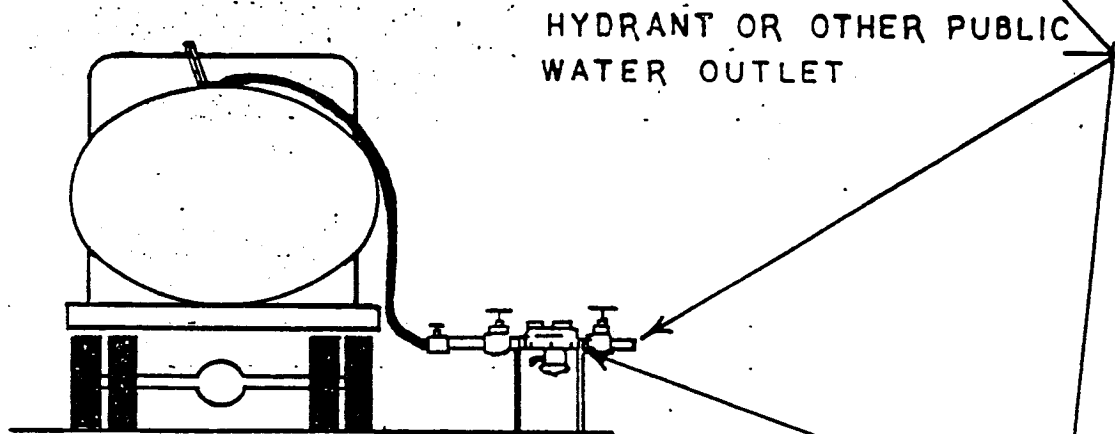
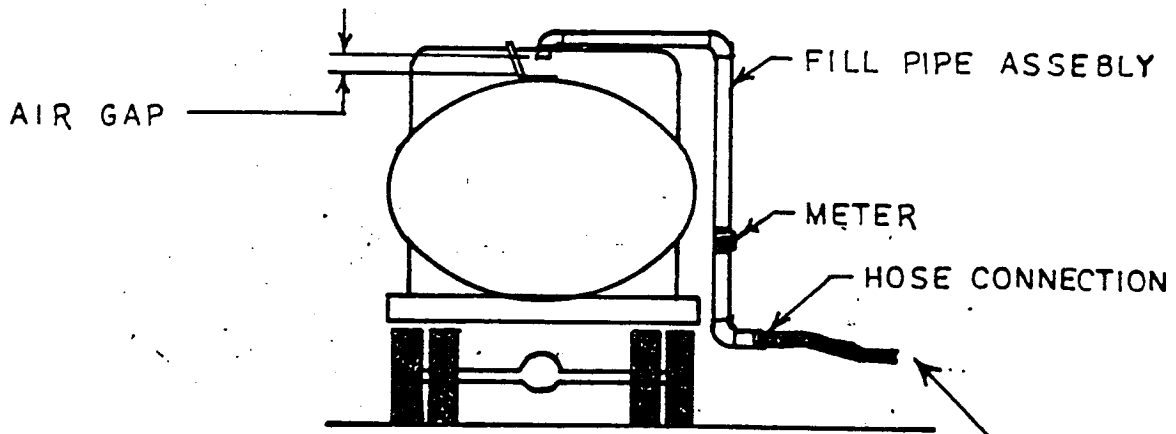
PAD SHALL BE A MINIMUM OF 2 FEET WIDE AND CENTERED ON PIPING OR DOUBLE THE DIAMETER OF PIPE THE USED, FROM CENTER LINE OF PIPING (i.e. 8" DIA. PIPE = 16" EACH WAY OR A 32" WIDE PAD, WHICH EVER IS GREATER.)

BACKFLOW PREVENTOR AND ASSOCIATED PIPING TO BE MAINTAINED BY THE "CUSTOMER"

ALL PIPING SHOWN SHALL BE FLANGED DUCTILE IRON

10 31 93/

DATE	19 JUN 92.	3" AND LARGER BACKFLOW PREVENTION ASSEMBLY	DRN NO	A-8
SIGN	T.H.	CITY OF MELBOURNE	DRN ON	
DRN BY	<i>T.D. Wilton</i>	WATER AND SEWER ADMN.	JOB NO	



DATE	09-12-91	APPROVED WATER TANKER TRUCK BACKFLOW PREVENTION	DRN NO	A-9
DESIGN		CITY OF MELBOURNE	DRN ON	
DRN BY	<i>M.D. Wilson</i>	WATER AND SEWER ADMN.	JOB NO	

City of Melbourne



900 East Strawbridge Avenue

Melbourne, Florida

32901

(407) 727-2900
(Fax) 952-1180

March, 3, 1993

CERTIFIED MAIL

Name
Address
City

RE: REQUIRED ANNUAL TESTING OF BACKFLOW PREVENTERS

Dear Customer:

In order to maintain the quality of the public water supply at the highest level possible, backflow preventers are required on all services where the water main come in contact with a contaminant.

Connected to your water system is backflow preventers. State Regulations require all backflow preventers be tested and maintained annually by a certified tester. It should be noted that failure to comply with this regulation may result in discontinuance of water service.

Enclosed is a separate "Test and Maintenance Report" form for each of your backflow preventers. This form is to be completed and returned to City of Melbourne, Water/Sewer Administration, 2891 Harper Road, Melbourne, Florida, 32904, within thirty (30) days of receipt of this letter. Also enclosed is a list of approved certified backflow prevention device testers located in the area.

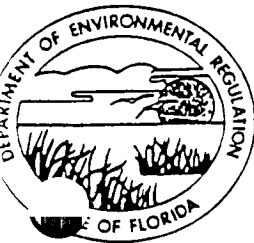
You are encouraged to have the tests performed as soon as possible. If any of your devices should need repair, the parts may take a few weeks to arrive.

If you have any questions, please contact our Cross Connection Control Technician weekdays at 407-727-2900 ext. 216/217.

Sincerely,

Thomas S. Hogeland
Water/Sewer Operations Superintendent

TSH/ct



Florida Department of Environmental Regulation

Central District • 3319 Maguire Boulevard, Suite 232 • Orlando, Florida 32803-3767

Lawton Chiles, Governor

~~Carol M. Browner, Secretary~~

Virginia R. Wertheim, Secretary

March 31, 1993

cc: GM file

CITY OF MELBOURNE
900 EAST STRAWBRIDGE AVENUE
MELBOURNE FL 32901

OCD-DW-93-0194

ATTENTION ROBERT C KLAPROTH JR
WATER & SEWER ADMINISTRATOR

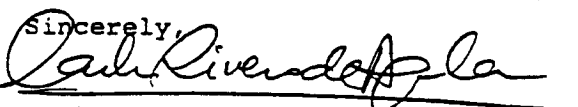
Brevard County - DW
City of Melbourne
Cross-Connection Control Manual & Reuse Ordinance

Dear Mr. Klapproth:

This is in response to your letter of March 9, 1993, revised Cross-Connection Control Manual (Effective March 1993) and revised Reuse Ordinance (Division 6).

The Department hereby approves the City of Melbourne's Cross-Connection Control Manual and Reuse Ordinance contingent upon the Reuse Ordinance being adopted and approved by the City. Upon approval by the City, please provide the Department a copy of the adopted/signed Reuse Ordinance.

Thank you for your cooperation.

Sincerely,

Carlos Rivero-deAguilar, P.E.
Program Administrator
Water Facilities

CF
CRA/a/dv

cc: DO05-158382, Melbourne/D.B. Lee WWTF
DT05-189773, Melbourne/Grant Street WWTF

RECEIVED

APR 05 1993

WATER AND SEWER
ADMINISTRATION