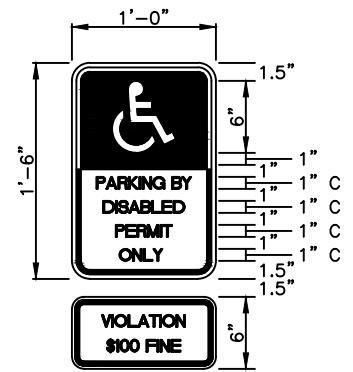


**F.D.O.T. FTP-20-06 SIGN**



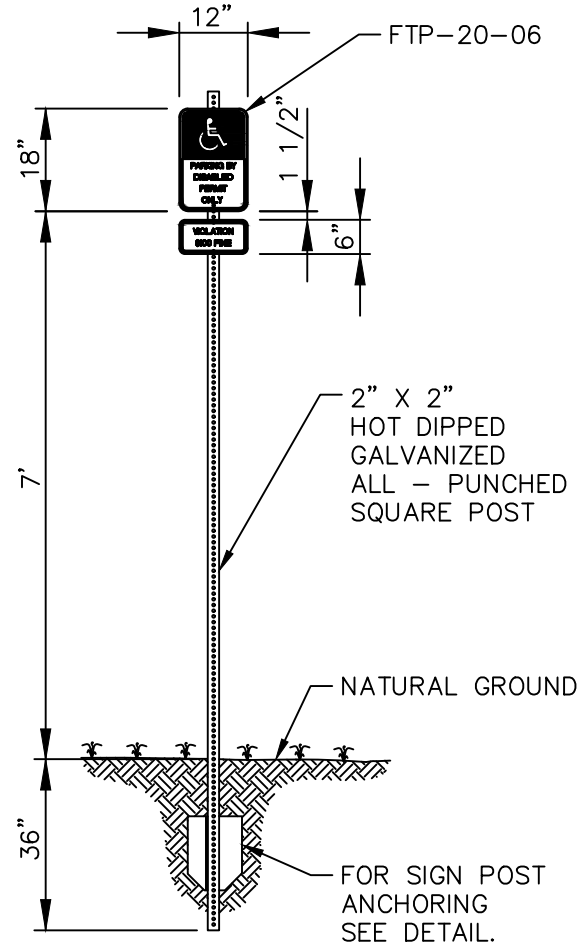
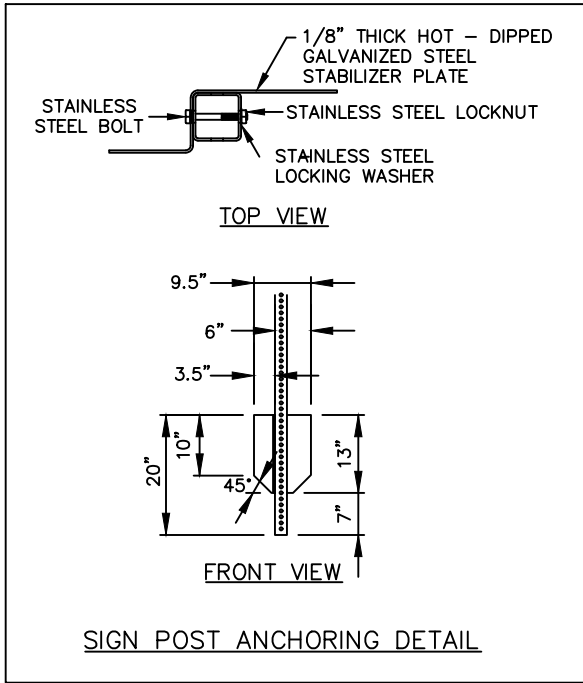
FTP-20-06

1' X 1'-6"

2" RADIUS, 3/8" BORDER, 3/8" INSET

1" SERIES C LEGEND

COLOR	TOP	BOTTOM
BACKGROUND	BLUE	WHITE
LEGEND AND BORDER	WHITE	BLACK



HANDICAP SIGN INSTALLATION DETAIL

**HANDICAP PARKING SIGN SPECIFICATIONS:**

1. SIGN REFLECTIVE SPECIFICATION: 3M HIGH INTENSITY PRISMATIC OR EQUIVALENT
2. MOUNTING SPECIFICATIONS: SIGNS SHALL BE MOUNTED ON 2 INCH SQUARE ALL-PUNCHED GALVANIZED POSTS OF THE APPROPRIATE LENGTH. (MINIMUM 12 FT.)
3. MOUNTING HARDWARE: SIGNS SHALL BE ATTACHED TO POSTS USING 5/16" X 2 1/2" STAINLESS STEEL BOLTS WITH 5/16" STAINLESS STEEL LOCKNUTS.
4. GALVANIZED ANCHOR PLATE: A FORMED ANCHOR PLATE (SEE DETAIL) SHALL BE MOUNTED ON POSTS BY USING 5/16" X 2 1/2" STAINLESS BOLT, WASHER AND 5/16" LOCK NUT. TOP OF PLATE SHALL BE MOUNTED APPROXIMATELY 20" FROM THE BOTTOM OF THE POST.
5. HEIGHT REQUIREMENTS: SIGN ERECTIONS SHALL BE SUCH THAT THE BOTTOM OF THE SIGN IS 7 FT. ABOVE THE SURFACE.
6. ALL SIGN INSTALLATIONS SHALL BE APPROVED BY THE CITY OF MELBOURNE ENGINEERING DEPARTMENT.

**HANDICAP PARKING SIGN INSTALLATION DETAIL**



**CITY OF MELBOURNE  
TRAFFIC ENGINEERING**

DRAWN BY: B.B.

SCALE: N.T.S.

DATE: JULY 2020

DRAWING NO.: N/A