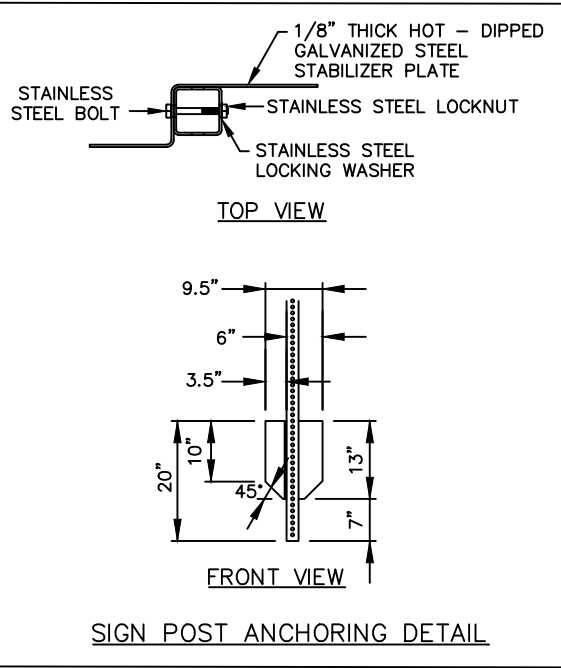
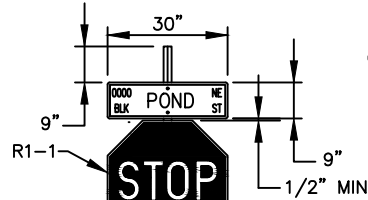
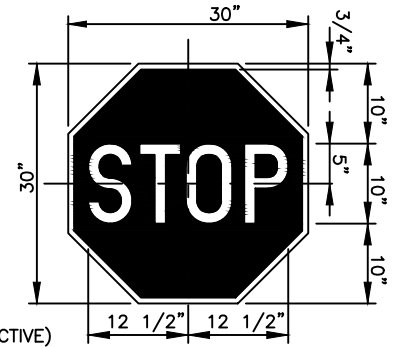


# F.D.O.T. R1-1

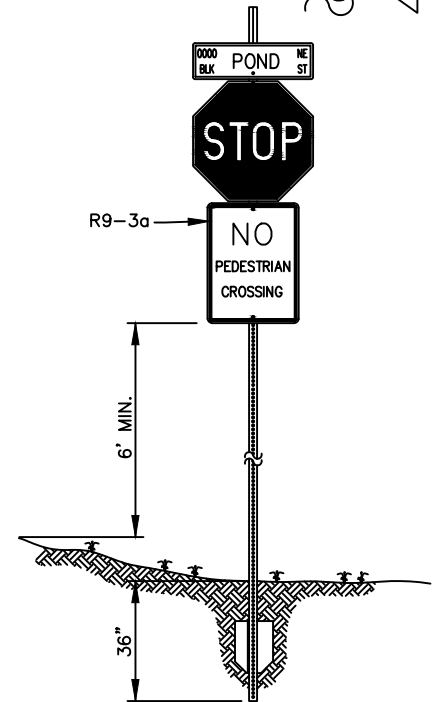
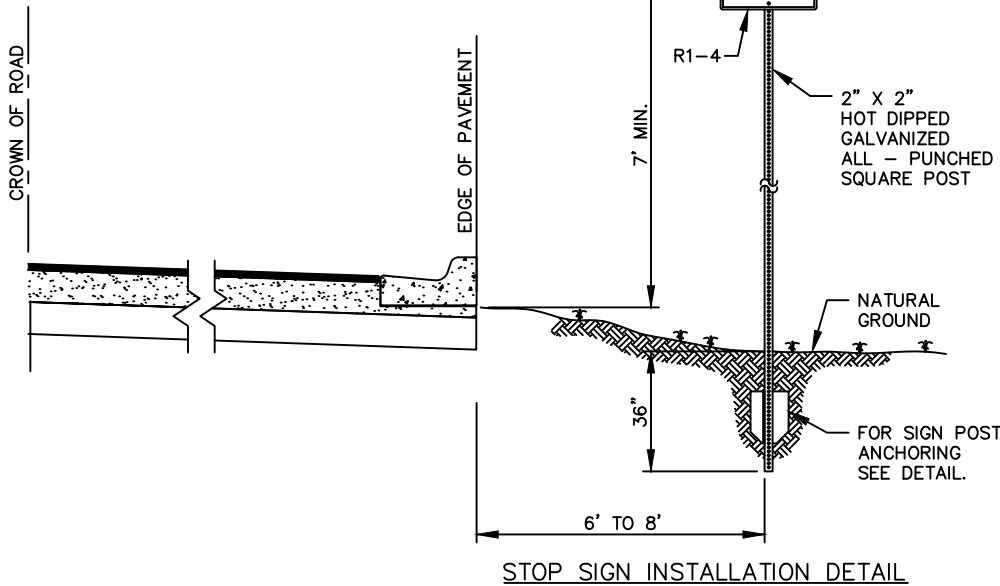
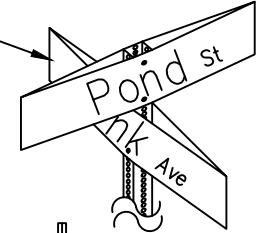


R1-1  
2'-6" X 2'-6"  
3/4" BORDER

COLORS  
BACKGROUND - RED (RETROREFLECTIVE)  
LEGEND AND BORDER - WHITE (RETROREFLECTIVE)



2 - STREET NAME BLADES MOUNTED ON POST WITH BOLTS (OPTIONAL)



## STOP SIGN SPECIFICATIONS:

- SIGN REFLECTIVE SPECIFICATION: 3M HIGH INTENSITY PRISMATIC OR EQUIVALENT.
- MOUNTING SPECIFICATIONS: SHALL BE MOUNTED ON 2 INCH SQUARE ALL-PUNCHED GALVANIZED POST OF THE APPROPRIATE LENGTH. (MINIMUM 12 FT.)
- MOUNTING HARDWARE: CHERRY-MATE ALUMINUM RIVETS #BALM8BP34 SHALL BE USED TO ATTACH STREET NAME SIGN BLANKS TO POSTS. TWO SETS OF RIVETS PER SIGN BLANK. STREET SIGN BLANKS SHALL BE RIVETED TOGETHER AT EACH END BY USING A 3/16" SMALL FLANGE AVEX RIVET. ALL OTHER SIGNS SHALL BE ATTACHED TO POSTS USING 5/16" X 2 1/2" STAINLESS STEEL BOLTS WITH 5/16" STAINLESS STEEL LOCKNUTS.
- GALVANIZED ANCHOR PLATE: A FORMED ANCHOR PLATE (SEE DETAIL) SHALL BE MOUNTED ON POSTS BY USING 5/16" X 2 1/2" STAINLESS BOLT, WASHER AND 5/16" LOCK NUT. TOP OF PLATE SHALL BE MOUNTED APPROXIMATELY 20" FROM THE BOTTOM OF THE POST.
- MAXIMUM LATERAL DISTANCE MEASURED FROM THE NEAR EDGE OF THE ROAD PAVEMENT TO SIGN POSTS SHALL BE 8 FT., AND THE MINIMUM LATERAL DISTANCE SHALL BE 6 FT.
- HEIGHT REQUIREMENTS: SIGN ERECTIONS SHALL BE SUCH THAT THE BOTTOM OF THE SIGN IS 7 FT. ABOVE ROAD SURFACE.
- HEIGHT REQUIREMENT EXCEPTION: (COMBINED MOUNTING) WHERE TWO OR MORE SIGNS ARE MOUNTED ON A SIGN POST, THE CLEARANCE MAY BE REDUCED TO 6 FT. (IE: A STOP SIGN & A NO LEFT TURN COMBINATION).
- STOP SIGNS FOR INTERIOR STREETS OR PARKING LOTS SHALL BE 30", FOUR LANE ROAD STOP SIGNS SHALL BE 36".
- STREET NAME SIGN FOR PUBLIC STREETS SHALL BE: (A) 9" BLADES W/BOATS AND 6" AND 4.5" SERIES "B" \_\_\_ FOR INTERIOR STREETS, OR (B) 10" BLADES W/BOATS AND 8" AND 6" SERIES "B" F FOR FOUR LANE STREETS.
- STREET NAME SIGNS FOR PRIVATE ROADS ARE RECOMMENDED TO BE: (A) 9" BLADES WITH 6" AND 4.5" SERIES "B" \_\_\_ FOR INTERIOR STREETS. OR (B) 10" BLADES WITH 8" AND 6" SERIES "B" F FOR FOUR LANE STREETS.
- BOAT LOG CAN BE PROVIDED BY SIGN SHOP OR STREET NAME SIGNS CAN BE BOUGHT FROM THE SIGN SHOP ON A LIMITED BASIS.
- ALL SIGN INSTALLATIONS SHALL BE APPROVED BY THE CITY OF MELBOURNE ENGINEERING DEPARTMENT.

# STOP SIGN INSTALLATION DETAIL

CITY OF MELBOURNE  
TRAFFIC ENGINEERING

DRAWN BY: B.B.

SCALE: N.T.S.

DATE: JULY 2020

DRAWING NO.: N/A

